

### SBOX Series Explosion-proof Junction Boxes



- ✓ Used in chemical, oil refining, oil exploitation, offshore oil platforms, oil tankers, military and other hazardous areas; Suitable for cable distribution when installing electrical appliances and lamps and especially when installing heat tracing systems and high-power electric heaters on site.
- ✓ Beautiful appearance: Aluminum alloy enclosure with stainless steel exposed fasteners.
- ✓ Different installation methods such as hanging, embedded, heat tracing bracket installation and different incoming cables such as ordinary rubber and plastic cable, armored cable and heating cable.

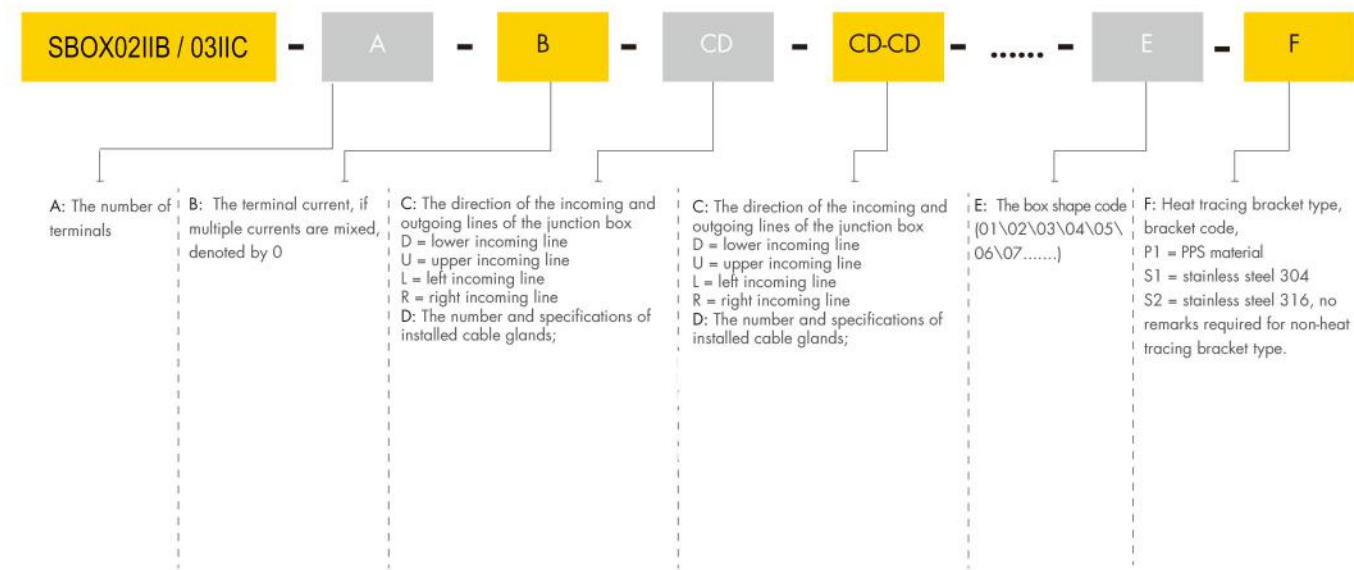


### SBOX Series Explosion-proof Junction Boxes

#### General technical parameters

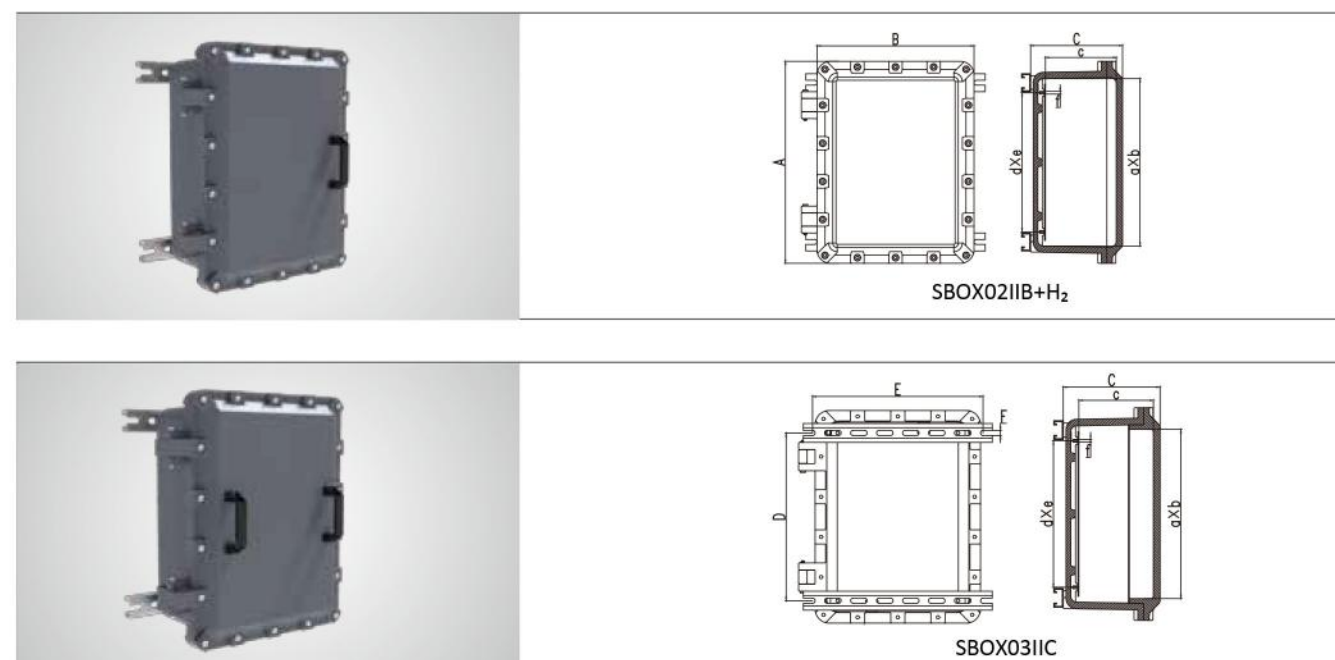
	GB	IECEX
Explosion protection		
Gas explosion protection	02: Ex d IIB+H2 T6 Gb / Ex tD A21 IP66 T80°C	Ex db IIB+H2 T6 Gb / Ex tb IIIC T80°C Db IP66
Dust explosion protection	03: Ex d IIC T6 Gb / Ex tD A21 IP66 T80°C	Ex db IIC T6 Gb / Ex tb IIIC T80°C Db IP66
Conformity to standard	GB 3836.1-2010 GB3836.2-2010 GB12476.1-2013 GB12476.5-2013 IEC 60079-0:2011, IEC60079-1:2007, IEC60079-11:2011 IEC60079-31:2008	
Enclosure material	Die casting aluminum ZL102	
Ambient temperature and protection rating	-40°C~+55°C , IP66	
The material of Exposed fastener	SS304/SS316 stainless steel	
Rated voltage and current	V: 220~240V, 380V, 415V, 500V, 690V A: 6A, 10A, 16A...630A	

#### Model meaning



### SBOX Series Explosion-proof Junction Boxes

IIB+H2 and IIC installation schematic dimension and difference



Selection table of IIB appearance dimension

Version	Appearance dimensions			Inner space dimensions			Bottom installing holes dimensions			Installing bracket dimensions		
	A	B	C	a	b	c	d	e	f	D	E	F
01	250	200	170	180	130	128	124	90	M6	171	210	10
02	300	200	170	230	130	128	174	90	M6	221	210	10
03	350	200	170	280	130	128	224	90	M6	271	210	10
04	350	300	230	288	238	190	218	148	M6	255	310	10
05	450	350	205	370	270	158	310	200	M6	355	360	12
06	560	450	210	480	370	159	390	300	M6	465	440	14
07	560	450	280	480	370	229	390	300	M6	465	440	14
08	672	472	372	572	372	310	542	342	M6	560	470	14
09	720	560	350	629	470	294	550	408	M6	600	550	14

### SBOX Series Explosion-proof Junction Boxes

Flame-proof joint structure



Selection table of IIC appearance dimension

Version	Appearance dimensions			Inner space dimensions			Bottom installing holes dimensions			Installing bracket dimensions		
	A	B	C	a	b	c	d	e	f	D	E	F
01	350	300	230	288	238	190	218	148	M6	255	310	10
02	450	350	205	358	258	158	310	200	M6	355	360	12
03	560	450	210	468	358	159	390	300	M6	465	440	14
04	560	450	280	468	358	229	390	300	M6	465	440	14
05	672	472	372	572	372	310	542	342	M6	560	470	14
06	720	560	350	620	460	294	550	408	M6	600	550	14
07	161	161	109	120	120	85	-	-	M4	141	141	Φ7
08	320	320	140	230	230	110	220	220	M6	340	280	Φ11
09	360	360	195	300	300	167	-	-	M6	306	306	Φ12

### SBOX Series Explosion-proof Junction Boxes

Standard thread comparison table

Standard thread version	Thread size									
	1/2"	3/4"	1"	1 1/4"	1 1/2"	2"	2 1/2"	3"	4"	
ISO7-1	1/2"	3/4"	1"	1 1/4"	1 1/2"	2"	2 1/2"	3"	4"	
ANSI B.20.1 NPT	1/2"	3/4"	1"	1 1/4"	1 1/2"	2"	*	*	*	
ISO 261/965	M20X1.5	M25X1.5	M32X1.5	M40X1.5	M50X1.5	M63X1.5	M75X1.5	M90X1.5	M110X1.5	



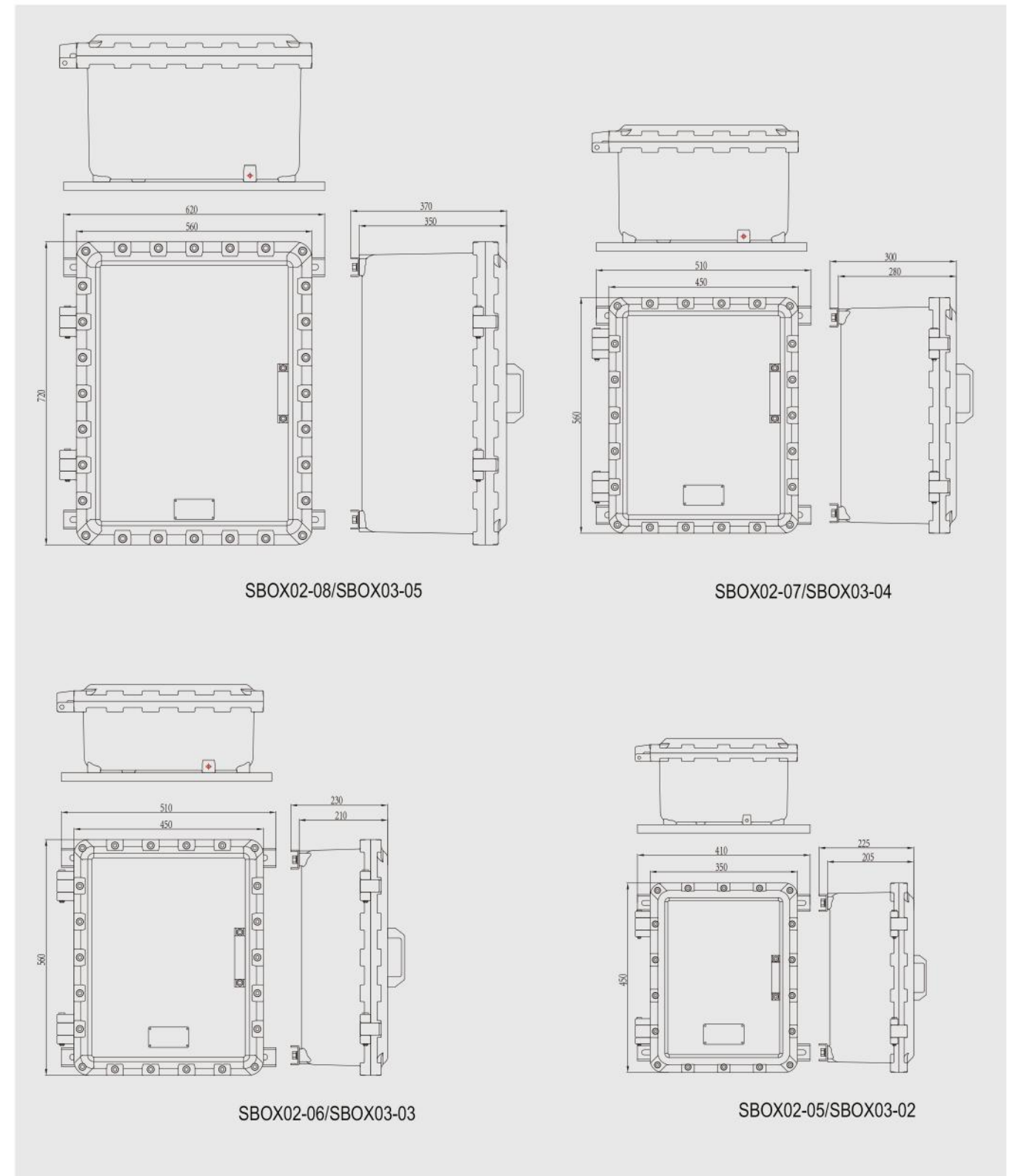
Reference table of holes in box

Version	Dimension of outside appearance (A*B*C)	Direction (U.L.D.R)	Thread size								
			1/2"	3/4"	1"	1 1/4"	1 1/2"	2"	2 1/2"	3"	4"
			1/2"	3/4"	1"	1 1/4"	1 1/2"	2"	*	*	*
			M20X1.5	M25X1.5	M32X1.5	M40X1.5	M50X1.5	M63X1.5	M75X1.5	M90X1.5	M110X1.5
01	250*200*170	U.D	5	5	2	2	1	1	*	*	*
		L.R	8	7	3	2	2	2	*	*	*
02	300*200*170	U.D	5	5	2	2	1	1	*	*	*
		L.R	10	9	4	3	3	2	*	*	*
03	350*200*170	U.D	5	5	2	2	1	1	*	*	*
		L.R	12	10	6	4	3	3	*	*	*
04	350*300*230	U.D	10	6	4	3	2	1	*	*	*
		L.R	12	8	5	4	3	2	*	*	*
05	450*350*205	U.D	10	7	4	3	2	2	*	*	*
		L.R	14	11	5	4	4	3	*	*	*
06	560*450*210	U.D	14	11	5	4	3	2	*	*	*
		L.R	18	15	7	5	5	3	*	*	*
07	560*450*280	U.D	21	18	10	8	3	2	2	2	1
		L.R	27	24	14	10	5	3	3	2	2
08	720*560*350	U.D	32	28	18	10	8	3	3	2	2
		L.R	48	40	27	14	12	5	4	3	2

The above holes are same for IIB and IIC box.

### SBOX Series Explosion-proof Junction Boxes

Each code corresponds to the actual external dimension drawing



TO BE SURE, TO BE ALL.



### SBOX Series Explosion-proof Junction Boxes

Each code corresponds to the actual external dimension drawing

